



SERVO DRIVES

TYPES

- Analog Servo Amplifiers
- Digital Servo Amplifiers
- EtherCAT Servo Amplifiers
- Powerlink, Modbus TCP, Ethernet Amplifiers
- CANopen Servo Amplifiers
- Electric Vehicle Motor Controllers

FEATURES

- PCB Mount Drives
- Extended Environment
- Distributed Control
- Linear Drives (no PWM)
- Position, Velocity Control
- Current, PWM Control
- Dual Loop Position Control
- Gantry Mode

STEPPER DRIVES

TYPES

- Microstep Drivers
- Full/Half Step Drivers
- Single & Multi-Axis Models
- Drivers With Oscillators
- Power Supplies & Accessories

FEATURES

- Closed Loop Servo Control
- Dynamic Current Control
- Distributed Control
- Advanced Anti-Resonance
- Torque Ripple Smoothing
- Idle Current Reduction
- Real Time Animation Mode

WE SPECIALIZE IN THE FOLLOWING APPLICATIONS:

- Explosion Proof
- High Temperature
- High Precision
- Miniature
- Zero Backlash
- Vacuum Rated
- Space Rated
- Clean Room
- High Shock/Vibration
- IP69K
- DNV
- Food Grade
- ATEX Certified
- IECEx Certified
- UL Class I Div 2 Hazardous Locations
- Gas (2G) and Dust (1D) Hazardous Locations



MINIATURE & FLAT SERVO MOTORS

TYPES

- Brushless Mini Motors
- Brush Mini Motors
- Brush & Brushless Mini Gearmotors
- Integrated Servo Motors
- Pancake/Flat Motors
- Coreless BLDC Motors
- Slotted BLDC Motors
- Slotless BLDC Motors

APPLICATIONS

- Factory Automation
- Oil & Gas Downhole Tools
- Printing
- Medical Implantable Devices
- Robotic Hands/Grippers
- Surgical Robots
- Delta Robots
- Underwater Robots
- Aerospace



ZERO BACKLASH SOLUTIONS

TYPES

- Harmonic Drive® Gearing
- AC Servo Motor Actuators
- Linear Servo Motors
- Direct Drive Rotary Motors
- Moving Coil Electric Actuators
- Linear Rotary Actuators
- Linear Slide Actuators
- Grippers & XY Stages
- Strain Wave Gearing
- Cycloidal Gearing

APPLICATIONS

- Industrial Robots
- SCARA Robots
- Collaborative Robots
- Assistive Robots
- Machine Tool
- Microscope Focus
- Large Format Printers
- Camera Pan/Tilt
- Medical



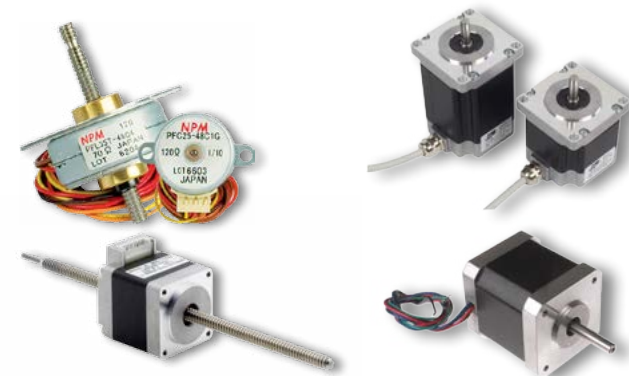
SERVO MOTORS

TYPES

- Brushless & Brush Motors
- Frameless Motors
- Direct Drive Housed Motors
- Explosion Proof, Washdown, & Food Grade Motors
- Voice Coil Motors
- Linear Motors
- Pancake/Flat Motors
- Coreless DC Motors

APPLICATIONS

- Factory Automation
- Material Handling
- Packaging / Converting
- Printing
- Machine Tool
- Food & Beverage IP69K
- Aerospace
- Defense
- (Embedded) Robotics



STEPPER MOTORS

TYPES

- AC Synchronous Motors
- Metric Frame Motors
- Nema Frame Motors
- Pancake Motors & Gearmotors
- Stepper Gearmotors
- Stepper Motor Linear Actuators
- Tin-Can Motors
- Washdown Motors

APPLICATIONS

- Postal Sorting
- 3D Printing
- Rapid Prototyping
- Specimen Handling Systems
- Laboratory Automation
- Storage Retrieval Systems
- Gaming Systems

Electromate's Core Purpose is to **help Manufacturers build better machines using differentiated automation technology.** We specialize in Robotic and Mechatronic Solutions for the Industrial Automation marketplace.



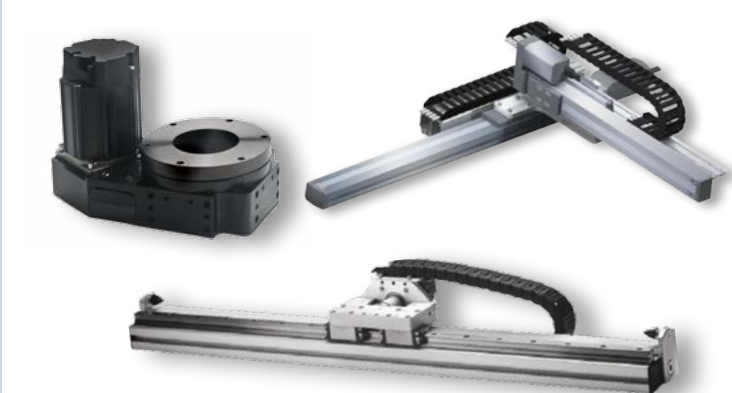
INTEGRATED MOTORS & ACTUATORS

TYPES

- Brushless Servo Motors
- Spindle Motor Actuators
- Servo & Stepper Actuators
- Stepper Motors
- Moving Coil Electric Actuators
- Linear Rotary Actuators
- Linear Slide Actuators
- Grippers
- XY Stages

APPLICATIONS

- Leur Capping
- Thread Checking
- Measurement & Metrology
- CNC Plasma Cutting
- Glue Dispensing
- Tension Control
- Animatronics
- Web Handling



POSITIONING SYSTEMS & ACTUATORS

TYPES

- Belt & Screw Driven Motorized Stages
- Nano Precision Stages
- Rotary and Theta Stages
- Rod Style Electric Linear Actuators
- Rodless Electric Linear Actuators
- Single & Multi-Axis Positioning Systems
- SCARA & Tabletop Robots

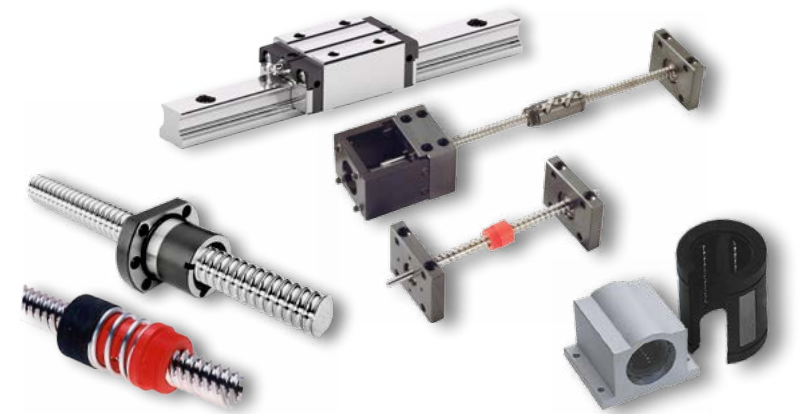
APPLICATIONS

- Machining Stations
- Inspection Stations
- Laser Marking
- Machine Assembly
- Imaging
- Pick & Place
- Insertion
- Packaging



FEEDBACK DEVICES

- | TYPES | TECHNOLOGY |
|---|---|
| <ul style="list-style-type: none"> • Rotary Encoders • Linear Encoders • Vacuum Compatible Encoders • DC Tachometers • Digital Readouts • Linear Displacement Transducers • Measuring Probes • Resolvers • Inclinometers | <ul style="list-style-type: none"> • Magnetic (absolute + high accuracy) • Magnetic (standard) • Optical • Inductive • Electric (Vacuum/MRI) • Magnetostrictive |



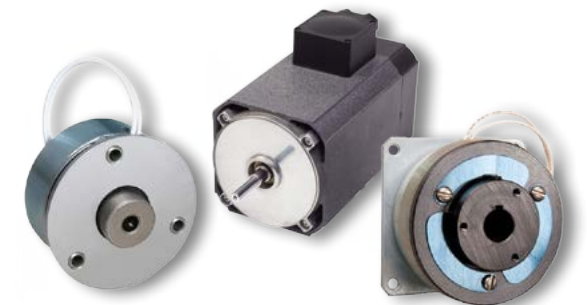
LINEAR BEARINGS & BALL SCREW PRODUCTS

- | TYPES | APPLICATIONS |
|---|--|
| <ul style="list-style-type: none"> • Linear Recirculating Bearings & Rails • Round Shafting & Bearings • Linear Guideways & Splines • Linear Slides • Manually Driven Linear Stages • Lead Screw Assemblies • Precision Ground/Rolled Thread Ball Screws & Nuts • Cross Roller Bearings | <ul style="list-style-type: none"> • Test & Measurement • Machine Tool • Medical • Optical • Laser Processing • Packing • Printing • Robotics & Automation • Pharmaceutical |



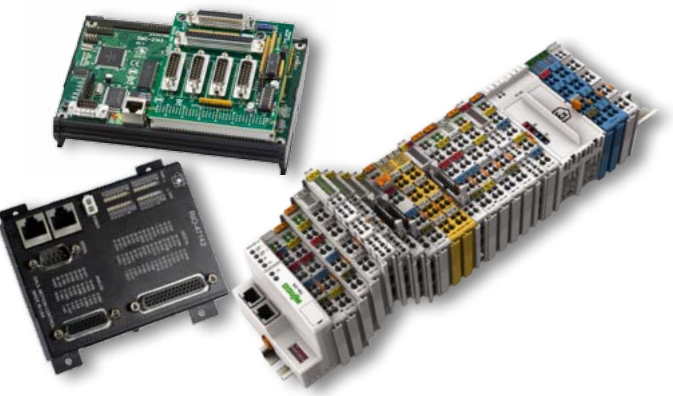
GEARING PRODUCTS

- | TYPES | APPLICATIONS |
|--|--|
| <ul style="list-style-type: none"> • Planetary Gearheads, Inline & Multidrive • Planetary Gearheads, Right Angle • Harmonic Drive® Gearing Systems • Pancake Gearing • Spiral Bevel Gearheads • Spur Gearheads • Cycloidal Speed Reducers | <ul style="list-style-type: none"> • Material Handling • Packaging • Miniature Mechatronics • Medical & Health • Machine Tool • Robotics & Automation • Aerospace & Defense • Energy & Solar |



POWER TRANSMISSION & MECHANICAL PRODUCTS

- | TYPES | APPLICATIONS |
|--|--|
| <ul style="list-style-type: none"> • Brakes • Clutches • Couplings • AC Motors • AC Planetary Gearmotors • DC Motors • DC Gearmotors • PMDC Drives | <ul style="list-style-type: none"> • Indexing • Conveyors • Mixers • Winches • Material Feeders • Bottling • Packaging • Pumps |



MOTION & AUTOMATION CONTROLLERS

- | TYPES | FEATURES |
|--|--|
| <ul style="list-style-type: none"> • Motion Controllers, Ethernet/EtherCAT/RS232/RS485/USB/Network • Motion Controllers, PCI, PC/104, ISA Bus • Core Modules & Embedded Products • I/O Controllers • Single & Multi-Axis Models | <ul style="list-style-type: none"> • Distributed Control • Position Tracking • 2D Linear & Circular Interpolation • Contouring • PVT (Position-Velocity-Time) Mode • Electronic CAM • Compensation Algorithms • 32 Axis Coordinated Motion |



HMI's & OPERATOR DISPLAYS

- | TYPES | APPLICATIONS |
|--|---|
| <ul style="list-style-type: none"> • Entry Level HMI's • Graphical Workstations • Industrial PC Solutions • Marquee Displays • Operator Displays • Marine & Harsh Environment • Handheld/Mobile | <ul style="list-style-type: none"> • Food & Beverage IP69K • Local HMI Visualization • Smart Factory IoT • Mobile & Remote Deployment • Cloud Integration • Enterprise Connectivity |

Respected by customers as a premiere source for High Performance Robotic and Mechatronic Solutions, Electromate® distributes AC & DC Servo and Stepper Motors, Drives, Controls, Positioning Systems & Robots, all supported via extensive product selection, just-in-time & consignment inventory, dedicated customer service and technical engineering support.

Electromate® is an ISO9001:2008 Registered Company and is LEAN Process accredited.



ELECTROMATE
Robotic and Mechatronic Solutions

6221 Highway 7, Unit #15 Vaughan, Ontario L4H 0K8

T 905.850.7447 F 905.850.7451

E customerservice@electromate.com

www.electromate.com



ELECTROMATE
Robotic and Mechatronic Solutions



MOTION CONTROL AT THE SPEED OF TECHNOLOGY™

